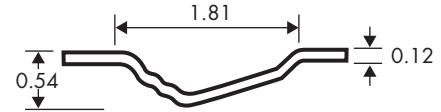


2 PANEL SQUARETOP MOLDED DOORS



SMOOTH

7'0" BEAD AND COVE



Bead and Cove profile

HOLLOW CORE DOOR

- 1-3/8" and 1-3/4" hollow core
- Fingerjoint or Fiberwood stiles
- Wood rails available

SOLID CORE DOOR

- 1-3/8" and 1-3/4" solid core
- Gives solid feel with sound reduction
- All wood construction
- Available in particle board core

Sizes Available

Dimensions	Availability	Panels
1'0" x 7'0"	X	2
1'2" x 7'0"	X	2
1'3" x 7'0"	X	2
1'4" x 7'0"	X	2
1'6" x 7'0"	X	2
1'8" x 7'0"	X	2
2'0" x 7'0"	√	2
2'2" x 7'0"	X	2
2'4" x 7'0"	√	2
2'6" x 7'0"	√	2
2'8" x 7'0"	√	2
2'10" x 7'0"	√	2
3'0" x 7'0"	√	2

NOTE: Items designated with an X are cut from larger size skins.
Items designated with a √ are available for order. NA for Not Available.

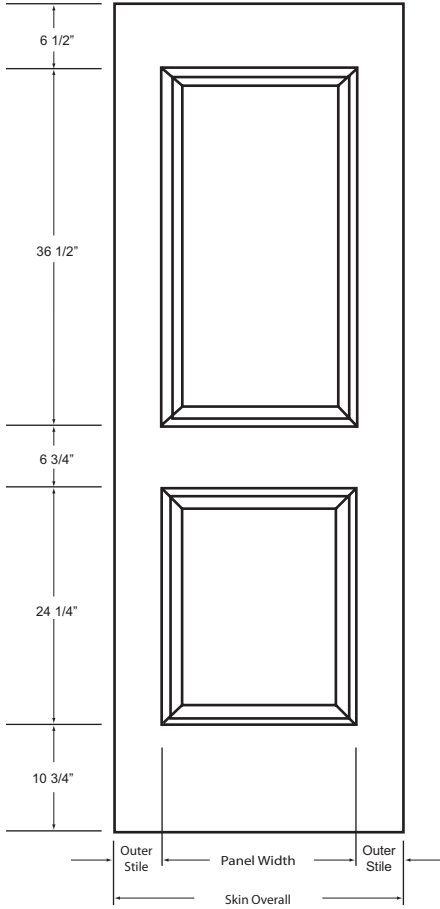
2 PANEL SQUARETOP MOLDED DOORS

SMOOTH 7'0" B/C

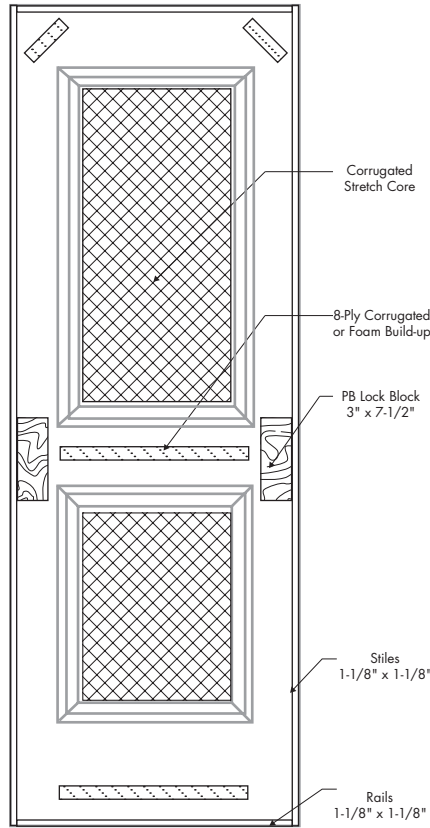


Standard Dimensions

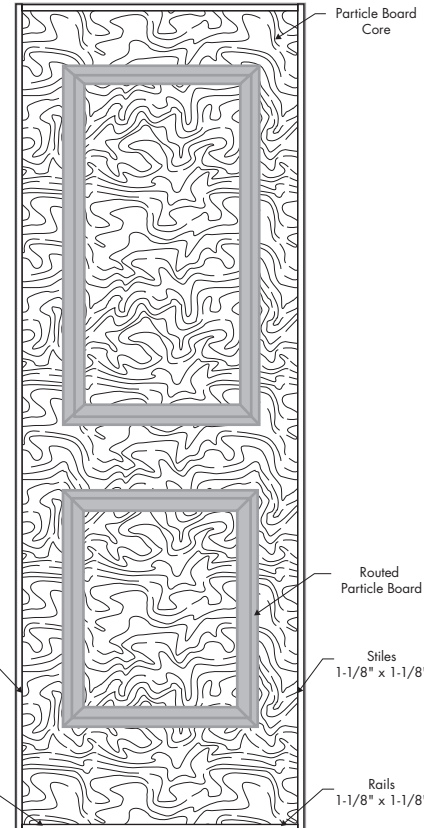
DOOR SKIN DIMENSIONS*



HOLLOW CORE CONSTRUCTION



SOLID CORE CONSTRUCTION



Smooth skin faces are paint grade only.
All measurements are approximate.
All door facings are nominal 1/8" thick.
Type 2 glue bond standard.

*Measurements are approximate and before any required trim or adjustments for customer specifications

Skin Size	Skin Overall	Panel Width	Center Stile	Outer Stile	Skin Size	Skin Overall	Panel Width	Center Stile	Outer Stile
1'0" x 7'0"	1'0-3/8"	7"	NA	2-11/16"	2'2" x 7'0"	2'2-3/8"	1'3-11/16"	NA	5-11/32"
1'2" x 7'0"	1'2-3/8"	7"	NA	3-11/16"	2'4" x 7'0"	2'4-3/8"	1'5-11/16"	NA	5-11/32"
1'3" x 7'0"	1'3-3/8"	7"	NA	4-3/16"	2'6" x 7'0"	2'6-3/8"	1'7-11/16"	NA	5-11/32"
1'4" x 7'0"	1'4-3/8"	7"	NA	4-11/16"	2'8" x 7'0"	2'8-3/8"	1'9-11/16"	NA	5-11/32"
1'6" x 7'0"	1'6-3/8"	11-15/16"	NA	3-7/32"	2'10" x 7'0"	2'10-3/8"	1'9-11/16"	NA	6-11/32"
1'8" x 7'0"	1'8-3/8"	11-15/16"	NA	4-7/32"	3'0" x 7'0"	3'0-3/8"	1'11-11/16"	NA	6-11/32"
2'0" x 7'0"	2'0-3/8"	1'3-11/16"	NA	4-11/32"					

Note: A standard 2-1/8" bore diameter will require a minimum stile measurement of 3-11/16" to allow for a 2-3/8" backset. A standard 2-1/8" bore diameter will require a minimum stile measurement of 4-1/16" to allow for a 2-3/4" backset.